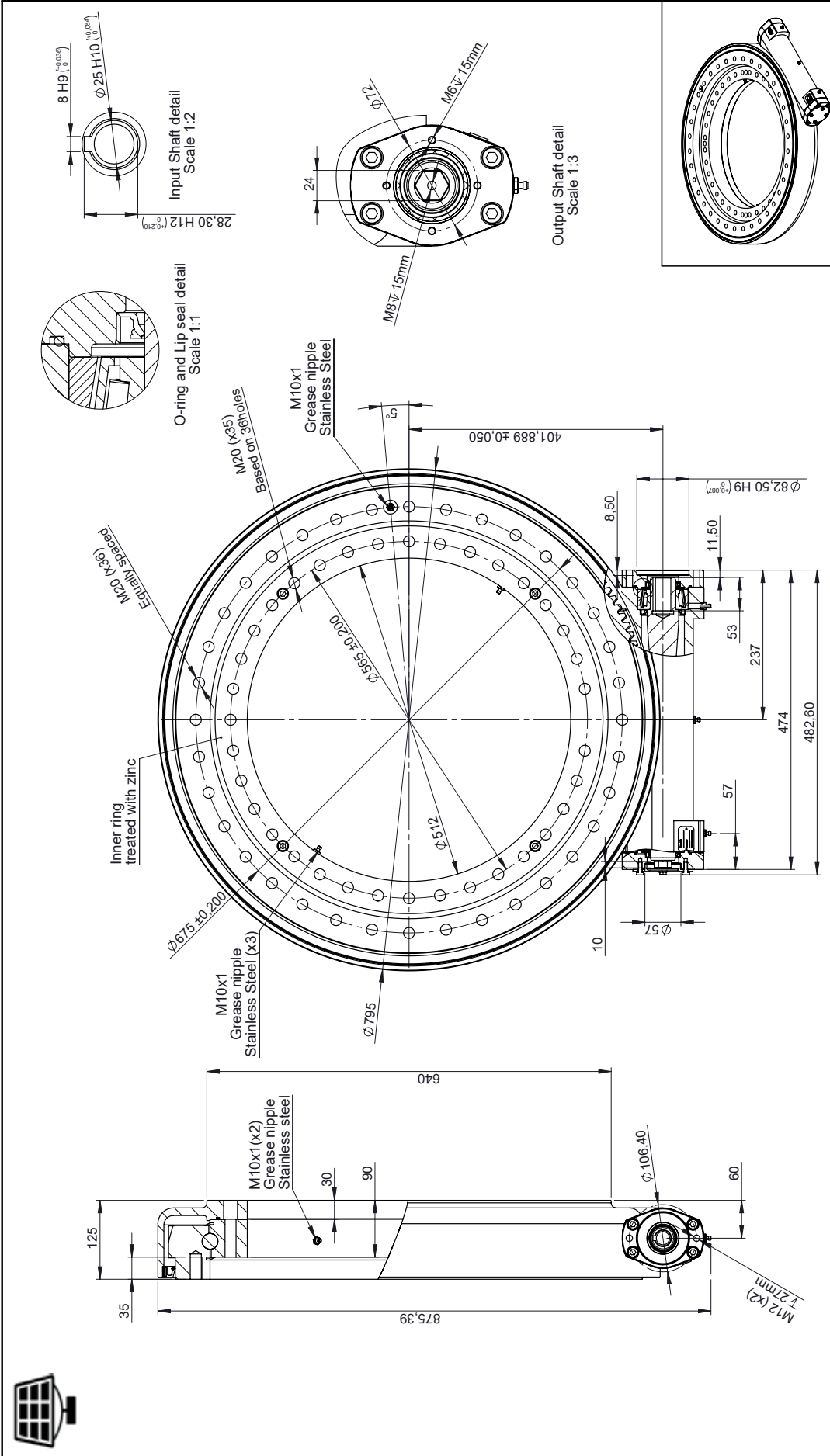


TE SERIES

METRIC



TGB GROUP
www.tgbgroup.com

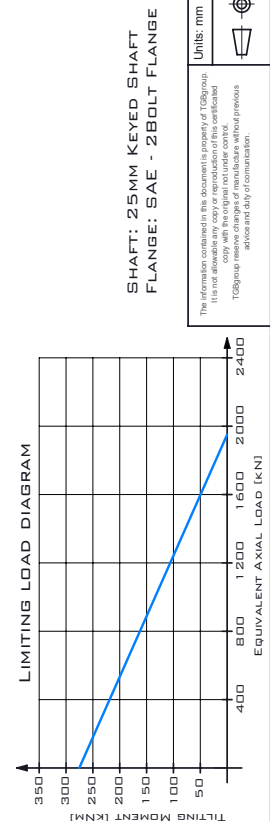
Rev
A

Reference: **TE760-Z0-RM**

Sales Drawing

WEIGHT (kg): 192,73 NUM. PIECES: 1

MATERIAL: - SCALE: -



MAIN PERFORMANCE PARAMETERS	
GEAR RATIO	1 50:1
HOLDING TORQUE	1 42,5kNm
EFFICIENCY	40%
TILTING MOMENT	27,7kNm
SELF-LOCKING GEAR	YES
RADIAL STATIC LOAD	770kN
BACKLASH CLEARANCE	< 0,15°
AXIAL STATIC LOAD	19,26kN
MAXIMUM TORQUE	453,20Nm
RADIAL DYNAMIC LOAD	409kN
NOMINAL TORQUE	352,60Nm
AXIAL DYNAMIC LOAD	46,9kN

NOTES: ALL BEVY DRIVE ARE PRE-LUBRICATED. MAXIMUM OUTPUT SPEED 1RPM.